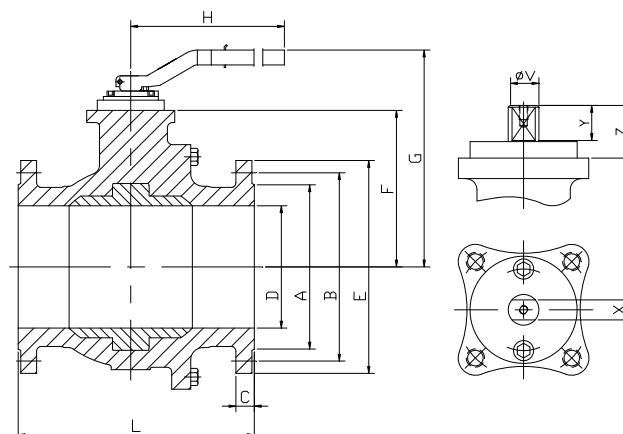
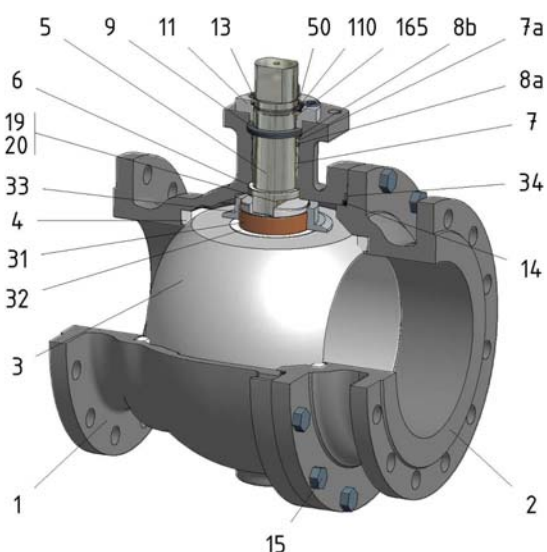


# FIG.ZG 04 SSSG PN16 DN250/300 F5



Position	Description	Material
01	Body 1	C.S. 1.0619
02	Body 2	C.S. 1.0619
03	Ball	S.S. 1.4408
04	Seat	PTFE+CG
05	Stem	S.S. 1.4401
06	Stem seal	PTFE+CG
07	Stem packing 1	PTFE+CG
07a	Stem packing 2	Graphite
08	Gland packing	S.S. 1.4401
09	Spring washer	S.S. 1.4310
11	Cover	S.S. 1.4408
13	Cover bolt	A4-70
14	Body seal 1	PTFE+CG
15	Body bolt	A2-70
16	Handle	WCB
17	Handle bolt	1.045(8.8)
19	Spring	S.S. 1.4401
20	Antistatic ball	S.S. 1.4401
23	Handle pin	S.S. 1.4021
24	Lengthening handle	S.S. 1.0254
31	Bearing	PTFE
32	Bearing disk	PTFE+FG
33	Support bearing	S.S. 1.4401
34	Body seal 2	Graphite
50	Subjection ring	S.S. 1.4301
110	Subjection ring seal	S.S. 1.4401 Nitrided
165	Stem bearing	PTFE+FG

### General features

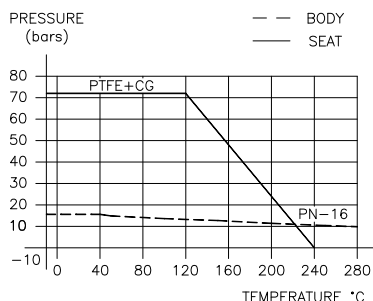
Guided ball.  
Split body.  
Full bore.  
Soft seat.  
Bidirectional.  
TA-LUFT.  
Anti Blow out proof stem.  
Autoadjustable packing.  
Anti static device.  
Self-cavity pressure relief.

### Standards

Top flange ISO 5211  
Flanges EN 1092-01  
Face to face EN 558  
Testing EN-12266, ISO 5208  
Design EN-12516, ISO 17292

### Official approvals

CERTIFICATE FIRE SAFE  
TÜV.AD-MERKBLATT WO  
TA-LUFT  
ATEX 94-9EC  
PED 97/23/CE.  
SIL 3 CAPABLE  
EN 161/EN 264  
DIN-DVWG



### PEKOS GROUP CERTIFICATES:

ISO 9001-2008 / 97-23-CE / API-6D



### DIMENSIONS & Technical information

DN	PN	D	L	E	A	B	C	F	H	G	V	X	Y	Z	n x d	ISO 5211	Torque	MAST	Weight
250	16	250	450	405	320	355	26	285	750	394	48	36	40	63	12 x 26	F14	1075	2544,3	228,0
300	16	300	500	460	378	410	28	329	750	438	48	36	40	63	12 x 26	F14	1360	2544,3	321,0

\*\* Depending on service conditions.

\* Dimensions are in mm.

\* Torque & MAST are in Nm.

\* Weight is in Kilogram

\* Torque values have been measured  $\Delta P$  at maximum rating at room temperature