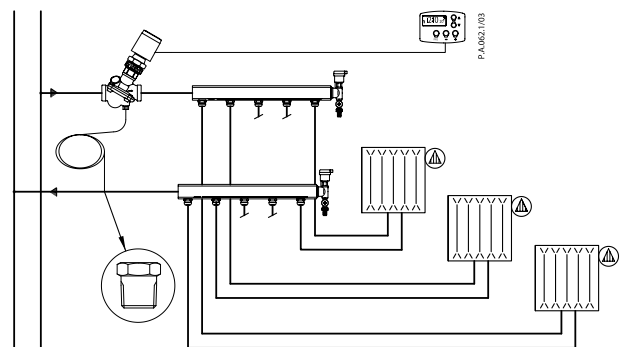
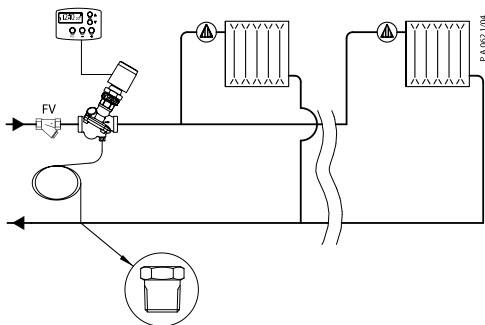
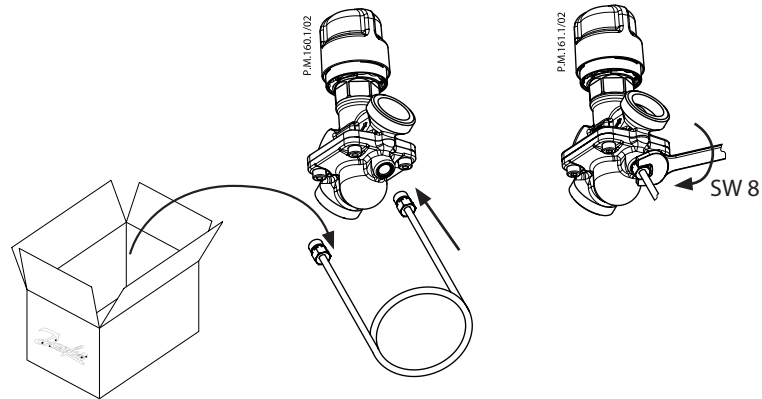
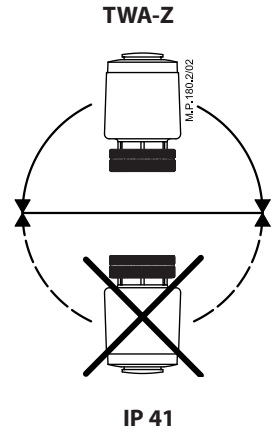
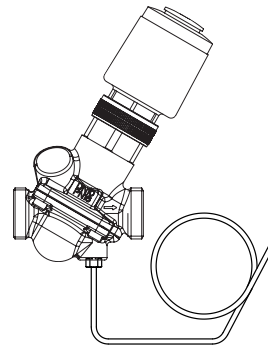
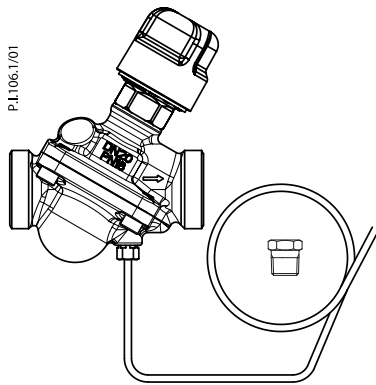


## Installation Guide

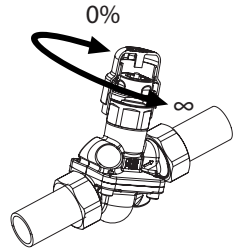
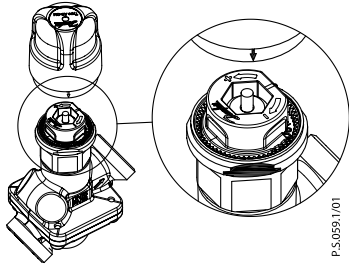
### AB-PM (DN 15-25)



## Manual Shut-off-plastic

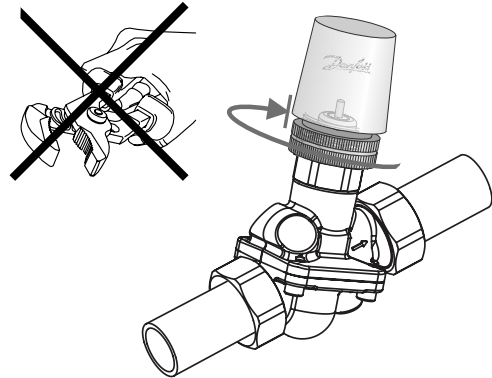
Included with all AB-PM valves  
 $\Delta p_{max} = 1 \text{ bar}$

Code No.:  
**003Z0250**

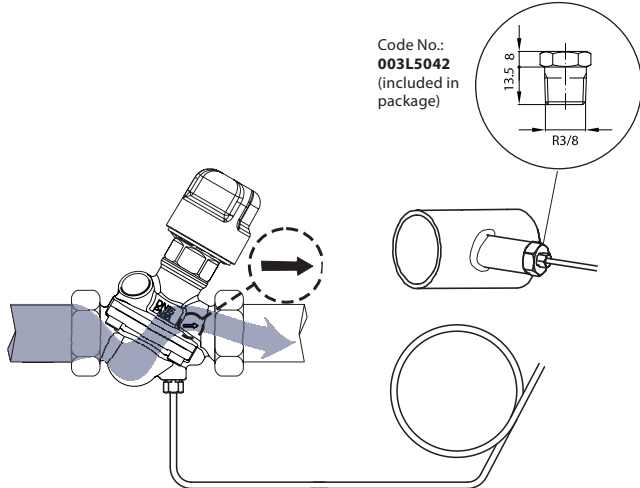


Clockwise: Close  
 Counter-Clockwise: Open

## Mounting actuator

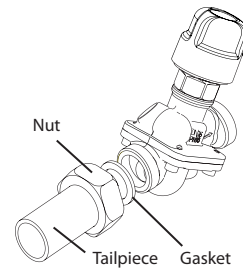


## Flow Direction



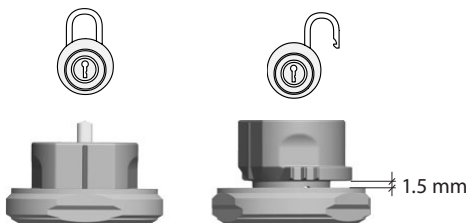
Code No.:  
**003L5042**  
 (included in package)

## Assembly



DN							
	To pipe	L (mm)	Code No.	Weld. c. L (mm)	Code No.	Solder c. L (mm)	Code No.
15	R 1/2	27.5	<b>003Z0232</b>	37	<b>003Z0226</b>	22	<b>003Z7017</b>
20	R 3/4	30.5	<b>003Z0233</b>	42	<b>003Z0227</b>	-	-
25	R 1	35.0	<b>003Z0234</b>	42	<b>003Z0228</b>	-	-

## Locking



## Setting

