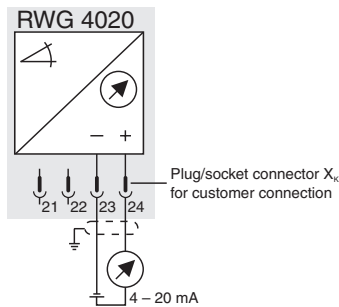


**RWG 4020**

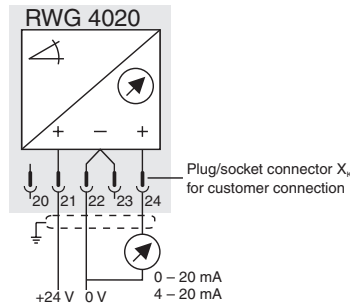
Data	3- or 4- wire system	2-wire system
Output current $I_a$	0 – 20 mA, 4 – 20 mA	4 – 20 mA
Supply voltage $U_v$ <sup>1)</sup>	24 V DC	14 V DC + (I x R <sub>B</sub> ), max 30 V
Max. current consumption	24 mA at 20 mA output current	20 mA
Max. load R <sub>B</sub>	600 Ω	(U <sub>v</sub> – 14 V)/20 mA
Influence of the supply voltage	0.1 %/V	0.1 %/V
Load influence	0.1 %/(0 – 600 Ω)	0.1 %/100 Ω
Temperature influence	0.3 %/K	
Transmitter potentiometer	5 kΩ	

**Wiring**

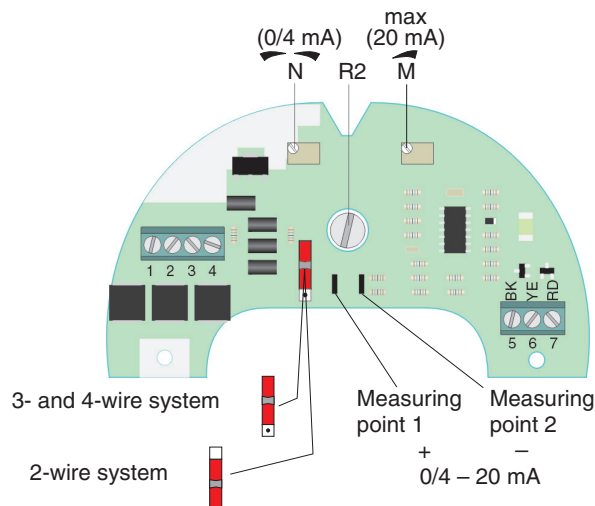
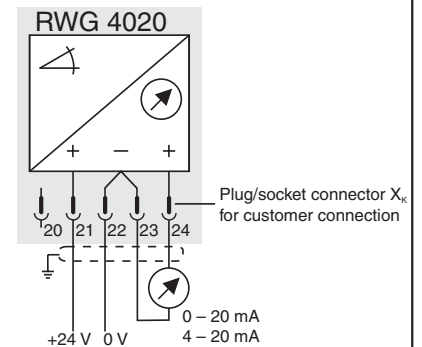
2-wire system



3-wire system



4-wire system



**Inverse operation:**

For inverse operation interchange connections 7 (red/RD) and 5 (black/BK) at position transmitter board

**Setting:**

Refer to operation instructions for actuator

1) Supply possible via: AUMATIC, AUMA MATIC controls or external power supply

We reserve the right to alter data according to improvements made. Previous documents become invalid with the issue of this document.

**RWG 4020  
Potentiometer**

**Technical data  
Electronic position transmitter/potentiometer**

**Potentiometer**

<b>Data</b>	<b>Wire potentiometer</b>	<b>Film potentiometer</b>	<b>Tandem version (wire)</b>
Independent linearity	$\leq 1\%$		
Resistance value tolerance	+/-5 %	+/-10 %	+/-5 %
Rated power 70 °C	1.5 W	0.5 W	1.5 W
Max. wiper current	30 mA	0.1 mA	30 mA
Lifetime	100,000 cycles	5 million cycles	10,000 cycles
Synchronous operation	-	-	+/-1 %

The position of the valve can be transmitted as a continuous signal by a potentiometer. The potentiometer is installed in the control unit of the actuator.

We reserve the right to alter data according to improvements made. Previous documents become invalid with the issue of this document.

Issue 1.11

2/2

Y004.388/002/en

**auma**<sup>®</sup>